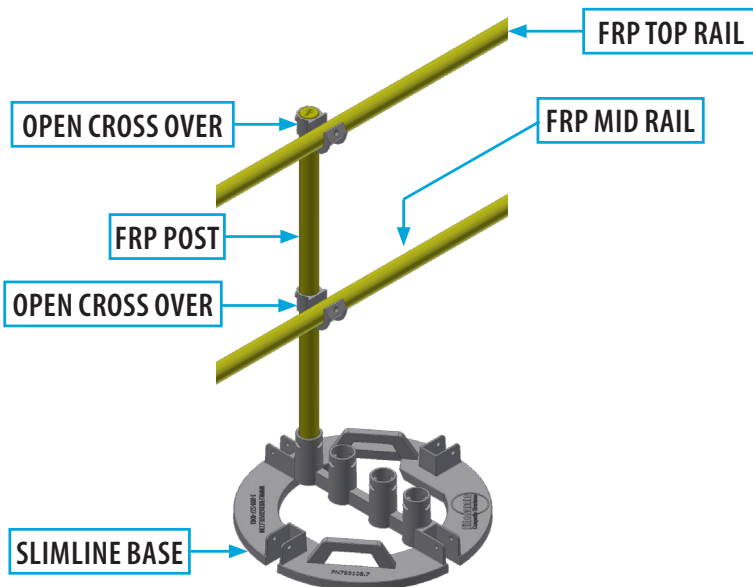


## DYNAROUND RG (ROOF GUARD) SLIMLINE™

Fibergrate's new ballasted rooftop guardrail system, DynaRound RG Slimline™, provides safety and fall protection on rooftop applications. While our RG system utilizes counter balance bases, the SlimLine systems uses both counterbalance bases in addition to circular galvanized bases with less interference. Similar to our DynaRound RG system, each Slimline system is made of durable, weather-resistant fiberglass reinforced plastic (FRP) composite uprights and rails, galvanized steel base weights, and galvanized connector components. This system meets applicable safety standards in the U.S. and Canada to protect people working at heights.



DynaRound RG Slimline provides the utmost in safety by protecting against injuries or death from accidental falls from the roof. The weighted base system means there is no drilling into the roof to attach the system. This eliminates any damage to the roof that could result from the drilling, including potential sources of leaks.

### SPECIFICATIONS

#### Safety Ratings

<b>OSHA Requirements:</b>		
● 1926.501(b)(1)	● 1910.28(b)(1)	
● 1926.502(b)	● 1910.29(b)	
<b>CAL/OSHA Requirements:</b>		
● 3210	● 1620	
● 3212	● 3209	
<b>IBC 2015 Requirements:</b>		
● 1015.3	● 1015.7	● 1607.8.1.1
● 1015.4.4	● 1607.8.1	● 1607.8.1.2
<b>National Building Code of Canada 2015</b>		
● 4.1.5.14	● 9.8.8.2	
<b>OH&amp;S</b>		
● R.R.O. 1990, Reg. 851, s. 13 & 14		

#### Materials of Construction

##### Rails, posts, and outriggers:

- VEFR (Vinyl ester resin system with a flame spread of 25 or less for dependable resistance to both acidic and alkaline environments)

##### Fittings and Base Weights:

- Galvanized, cast iron connectors with set screws
- Protective, durable rubber pads on parts that contact roof surface

#### Size

- 1.9" O.D. Pultruded Round Tube

#### Colors

Yellow with UV Coating

Light Gray with UV Coating

### BENEFITS OF FRP



**Corrosion Resistant:** Fibergrate® fiberglass products are known for their ability to provide corrosion resistance in the harshest environments.



**Lightweight:** Fibergrate FRP products lessen impact on rooftop installations, reduce installation time, can eliminate the need for heavy lifting equipment, and reduce shipping costs.



**Low Maintenance:** The corrosion resistant properties of FRP are easy to clean and reduce or eliminate the need for sandblasting, scraping and painting.



**Long Service Life:** Fiberglass products provide outstanding durability and corrosion resistance in demanding applications, providing improved product life over traditional materials.



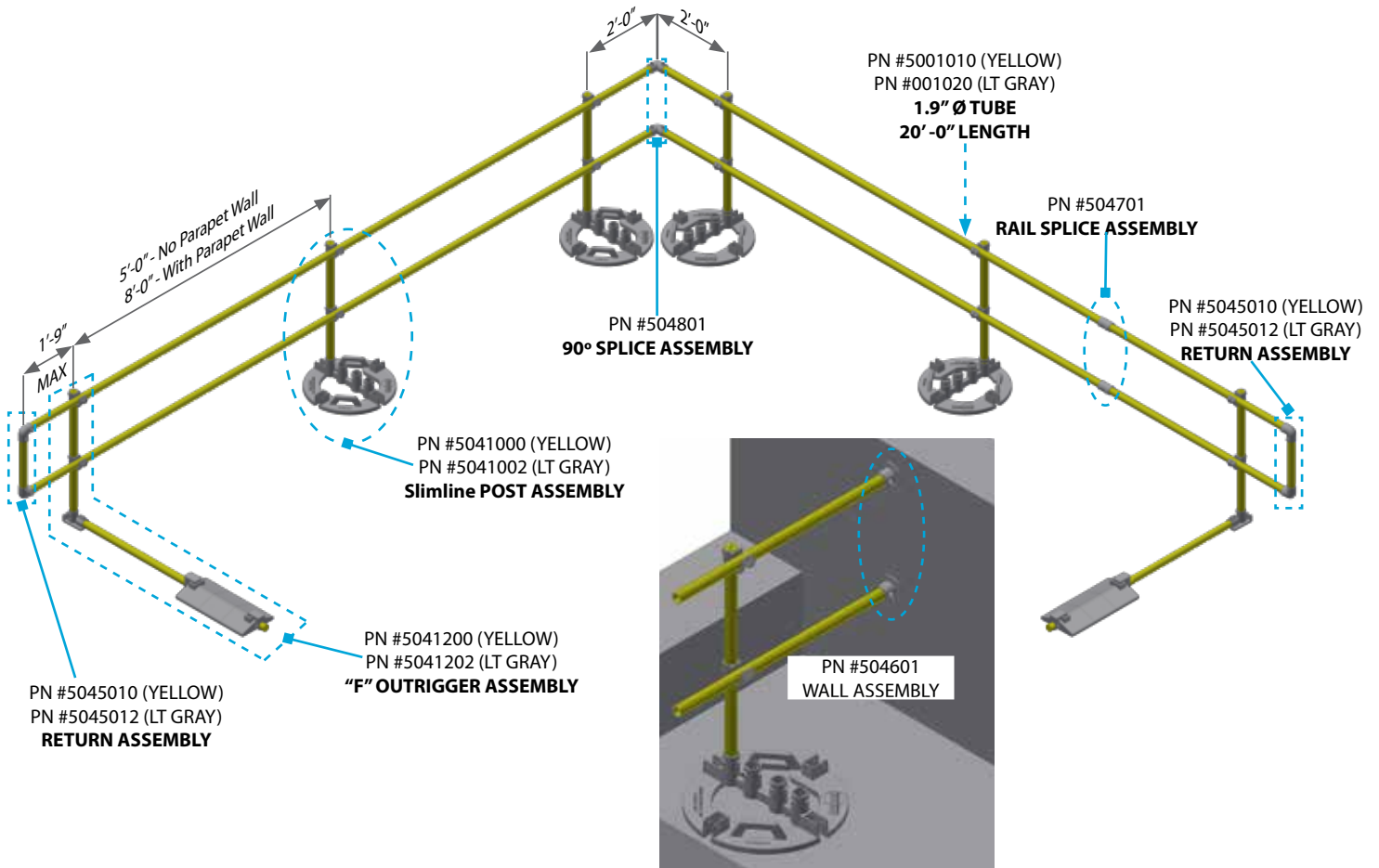
**Electrically & Thermally Non Conductive:** Fiberglass is electrically non conductive for safety and has low thermal conductivity - resulting in a more comfortable product when physical contact occurs.



**UV Resistant:** The FRP rails, post, and outriggers have additional factory applied coating suitable for daily UV exposure - further reducing the low cost of maintenance.

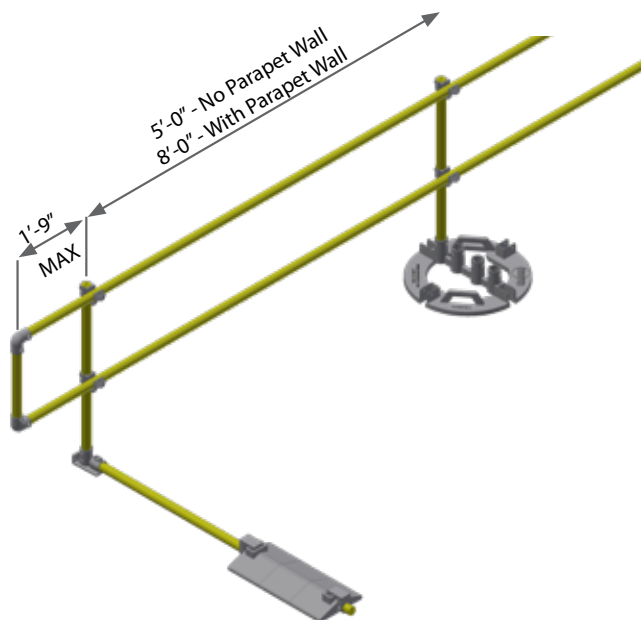


## SYSTEM COMPONENTS



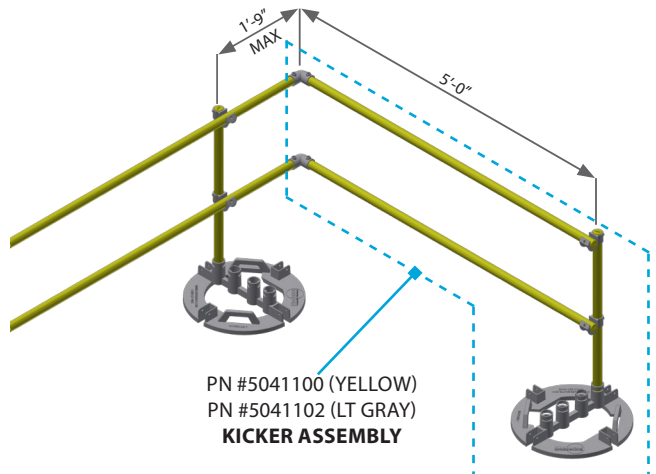
## TYPICAL SPACING FOR ASSEMBLIES

### RETURN CONDITION



### KICKER ASSEMBLY

(A kicker assembly can be used as an alternative to the standard "F" outrigger.)



All assembly details can be found on the next page.

## ASSEMBLY DETAILS

**DynaRound SL Post Assembly, Yellow**  
ITEM #5041000  
Weight = 97 lbs

DESCRIPTION	QTY	PN #
DynaRound SL Post - YL	1	5041610
Open Cross Over	2	793201
Lock Pin	1	793108.2
DynaRound SL Base	1	793108.7

**DynaRound SL Post Assembly, LT GRAY**  
ITEM #5041002  
Weight = 97 lbs

DESCRIPTION	QTY	PN #
DynaRound SL Post - GR	1	5041612
Open Cross Over	2	793201
Lock Pin	1	793108.2
DynaRound SL Base	1	793108.7

**DynaRound SL Kicker Assembly, Yellow**  
ITEM #5041100  
Weight = 110 lbs

DESCRIPTION	QTY	PN #
DynaRound SL Post - YL	1	5041610
Open Cross Over	2	793201
Lock Pin	1	793108.2
DynaRound SL Base	1	793108.7
Two Way Elbow	2	793125
DynaRound SL Kicker Rail - YL	2	5041710

**DynaRound SL Kicker Assembly, LT GRAY**  
ITEM #5041102  
Weight = 110 lbs

DESCRIPTION	QTY	PN #
DynaRound SL Post - LG	1	5041612
Open Cross Over	2	793201
Lock Pin	1	793108.2
DynaRound SL Base	1	793108.7
Two Way Elbow	2	793125
DynaRound SL Kicker Rail - LG	2	5041712

**DynaRound SL 'F' Outrigger Assy, Yellow**  
ITEM #5041200  
Weight = 108 lbs

DESCRIPTION	QTY	PN #
DynaRound RG Post - YL	1	5040010
Open Cross Over	2	793201
Slipper	1	793206
Roof	3	793208
Special Hook	2	793207
F Outrigger (L = 70") - YL	1	5046110

**DynaRound SL 'F' Outrigger Assy, LT GRAY**  
ITEM #5041202  
Weight = 108 lbs

DESCRIPTION	QTY	PN #
DynaRound RG Post - LG	1	5040012
Open Cross Over	2	793201
Slipper	1	793206
Roof	3	793208
Special Hook	2	793207
F Outrigger (L = 70") - LG	1	5046112

**Swivel Elbow Assembly**  
ITEM #504802  
Weight = 4 lbs

DESCRIPTION	QTY	PN #
Swivel Elbow	2	793126

**WALL ASSEMBLY**  
ITEM #504601  
Weight = 4 lbs

DESCRIPTION	QTY	PN #
Base Flange	2	793131

**RAIL SPLICE ASSEMBLY**  
ITEM #504701  
Weight = 3 lbs

DESCRIPTION	QTY	PN #
Sleeve Joint	2	793149

**90° SPLICE ASSEMBLY**  
ITEM #504801  
Weight = 4 lbs

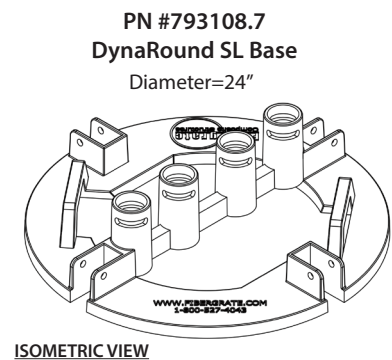
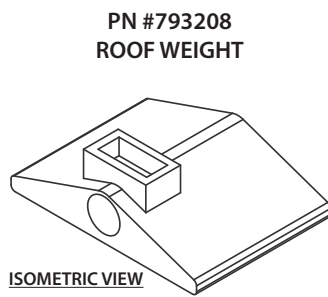
DESCRIPTION	QTY	PN #
Two Way Elbow	2	793125

**RETURN ASSEMBLY, Yellow**  
ITEM #5045010  
Weight = 6 lbs

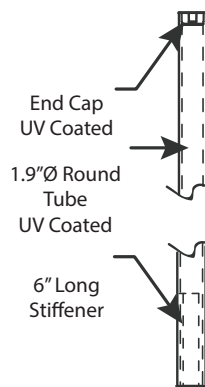
DESCRIPTION	QTY	PN #
Return (Length: 21-1/16")	1	5045110
Two Way Elbow	2	793125

**RETURN ASSEMBLY, LT GRAY**  
ITEM #5045012  
Weight = 6 lbs

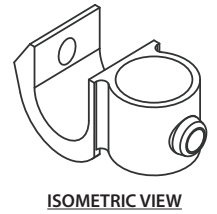
DESCRIPTION	QTY	PN #
Return (Length: 21-1/16")	1	5045112
Two Way Elbow	2	793125



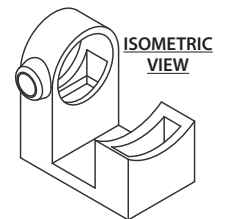
**PN # 5041610/5041612**  
DYNAROUND SL POST  
(LENGTH = 41-1/4")



**PN #793201**  
OPEN CROSS OVER

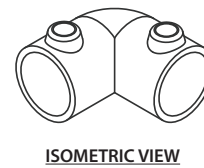


**PN #793207**  
SPECIAL HOOK\*

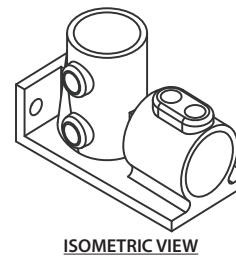


\*Shown upside down

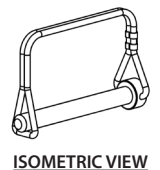
**PN #793125**  
TWO WAY ELBOW



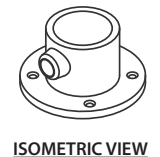
**PN #793206**  
SLIPPER



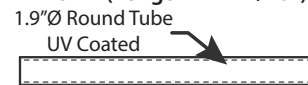
**PN #793108.2**  
LOCK PIN



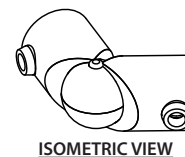
**PN #793131**  
BASE FLANGE



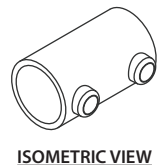
**PN #5045110**  
RETURN (Length = 21-1/16")



**PN #793126**  
SWIVEL ELBOW



**PN #793149**  
SLEEVE JOINT



**PN #5043110/5043112**  
F OUTRIGGER  
(LENGTH=66")

1.9"Ø Round  
Tube - UV Coated

